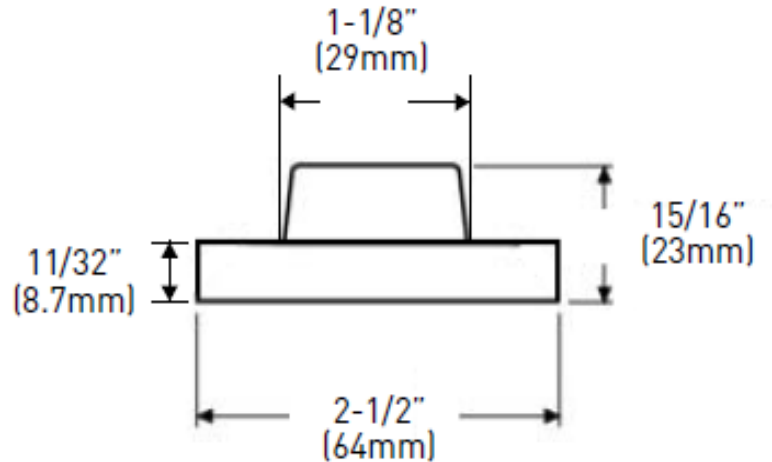
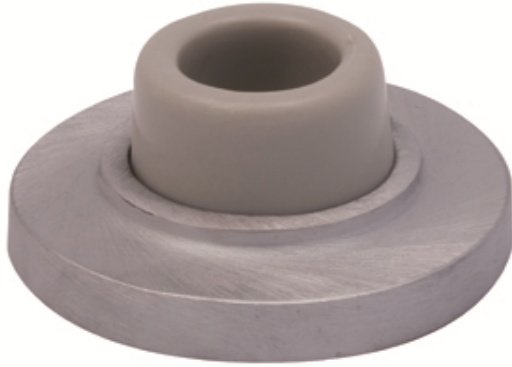


Concave Door Stop

022-1506



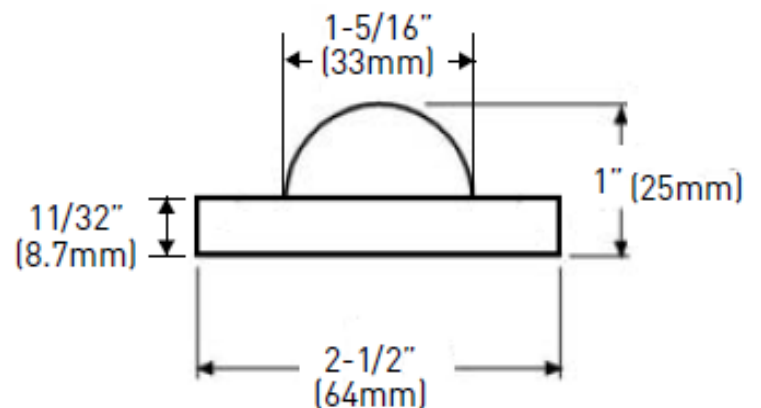
Complete with Screw
& Expansion Shield

Zinc Alloy Diacast Construction / Steel mounting with Rubber Bumper

Finishes Available: 10B, C26, C15, C3, C5, 26D, L1

Convex Door Stop

022-1508



Complete with Screw
& Expansion Shield

Zinc Alloy Diacast Construction / Steel mounting with Rubber Bumper

Finishes Available: 10B, C26, C15, C3, 26D, L1