

Sliding Pocket Door Lock - Round & SQ Profile

014-1414R Series & 014-1414S Series

FEATURES & OPTIONS

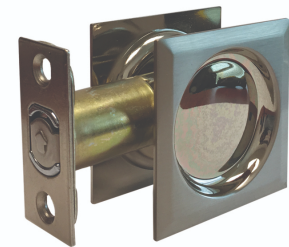
Door Preparation
Bore: 2-1/8" Dia.

Door Thickness
Fit 1-5/16" to 1-3/4" standard

Latch Backset
2-3/8" standard
(2-3/4" available)

Handing
Non-Handed

ANSI/BHMA
A 156.2 Grade 3

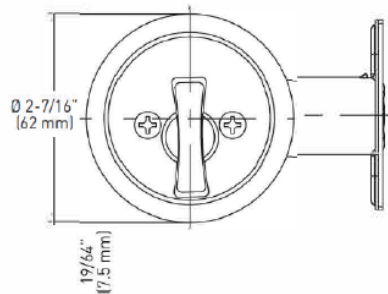
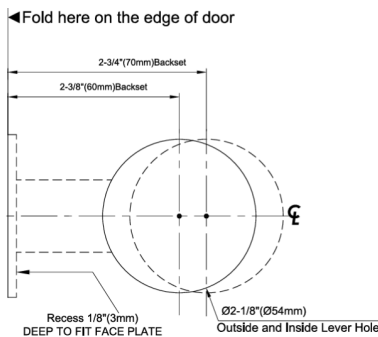


Functions Available - Round Series

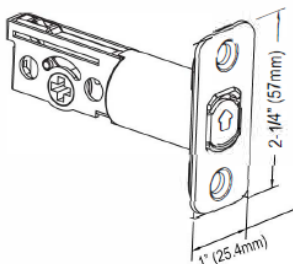
Privacy : 014-1414R x Finish
Passage : 014-1415R x Finish

Functions Available - Square Series

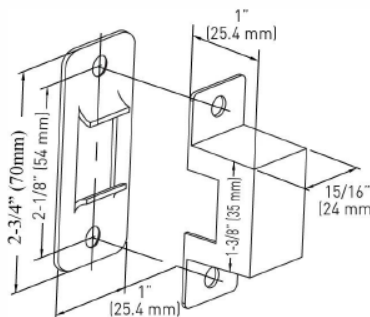
Privacy : 014-1414S-C26, C15, L1
Passage : 014-1415S-C26, C15, L1



2-3/8" MORTISE LATCH - PRIVACY
2-3/4" (Optional)



STRIKE - PRIVACY



STRIKE

DUST BOX

