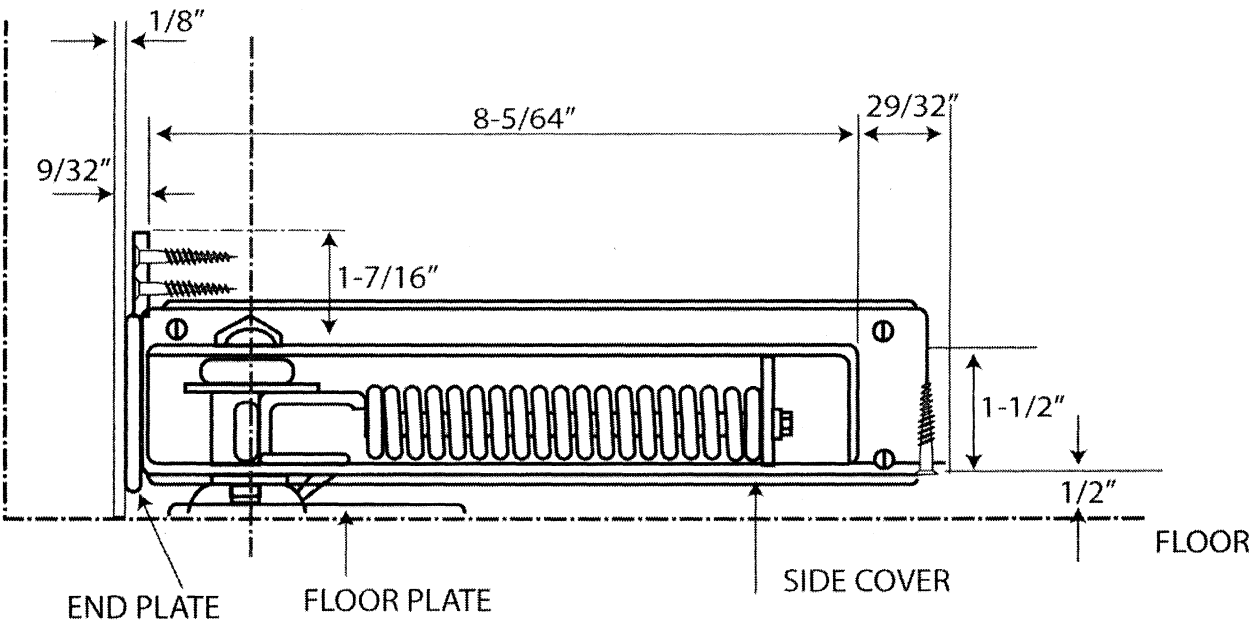
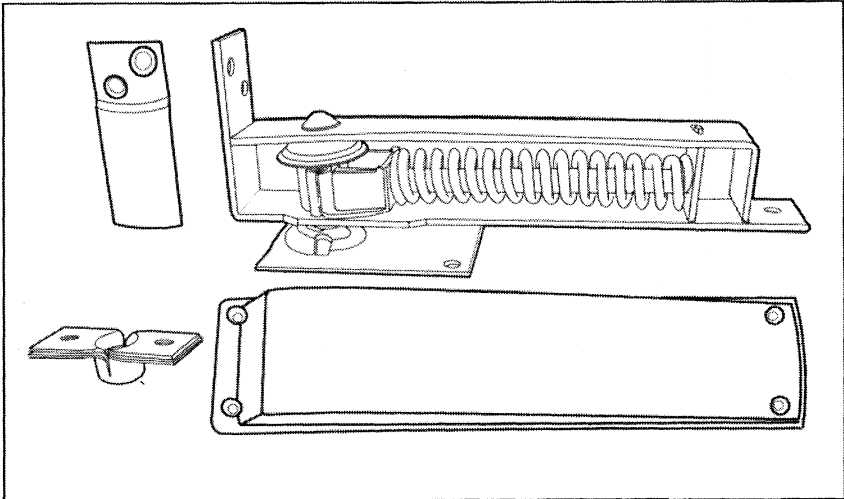


Double-Acting Residential Floor Spring Hinge

- ⊙ Malleable iron and steel mechanism
- ⊙ Steel trim
- ⊙ Double acting adjustable spring tension
- ⊙ Heavy Duty ball bearing type with 90° Hold Open
- ⊙ Can hold doors up to 90 lbs.
- ⊙ Door Range 1-1/8" – 1-3/4"



HEAVY DUTY BALL BEARING TYPE DOUBLE-ACTING FLOOR SPRING HINGE WITH 90° HOLD OPEN FEATURE • OPENS INWARD & OUTWARD

- How to install - (For $1\frac{3}{8}$ " (35%) Doors)

1. Trim door to fit opening, $\frac{11}{16}$ " (17%) less than height, $\frac{1}{4}$ " (6%) less than width.
2. Round off hinge stile of door to $1\frac{1}{2}$ " (38%) radius.
3. Cut mortise for hinge full thickness of door as shown.
4. Center spring on door and screw in place, attaching end plate with it.
5. Install top pivot to head jamb and top socket to door as shown.
6. Tilt door to engage pivots, align door, wedge in place and screw floor plate to floor (Slotted holes in plate permit adjustment).
7. Slip tab end of side cover under end plate and screw side cover to door.

- Como se instala - (Para puertas de $1\frac{3}{8}$ " (35%))

1. Arregle la puerta, que sea $\frac{11}{16}$ " (17%) menos que la altura de la jamba, $\frac{1}{4}$ " (6%) menos que el ancho (de la jamba)
2. Redondee la puerta al radio de $1\frac{1}{2}$ " (38%) para instalar la bisagra
3. Corte la puerta que la bisagra adapte completamente
4. Centre la bisagra en la puerta y atornillela y ponga la placa posterior
5. Instale el pivote superior a la jamba superior y el cubo a la puerta
6. Inclíne la puerta para que el pivote y su cubo lo enganche, alinee la puerta, adaptela en su posición adecuada y atornille la placa exterior de la bisagra (Los agujeros ovales de la placa permiten el arreglo de la puerta)
7. Meta el cabo de la cubierta lateral debajo de la placa posterior y atornillela a la puerta

